

# Back Pressure Regulators

## BPR-2 Series Back Pressure Piston Regulators

### Features

- ⦿ Durable piston-sensed design
- ⦿ Bubble-tight shutoff at all reseating pressure
- ⦿ Low operating torque
- ⦿ Panel mounting available
- ⦿ With special cleaning and packaging, applicable to oxygen-enriched environments

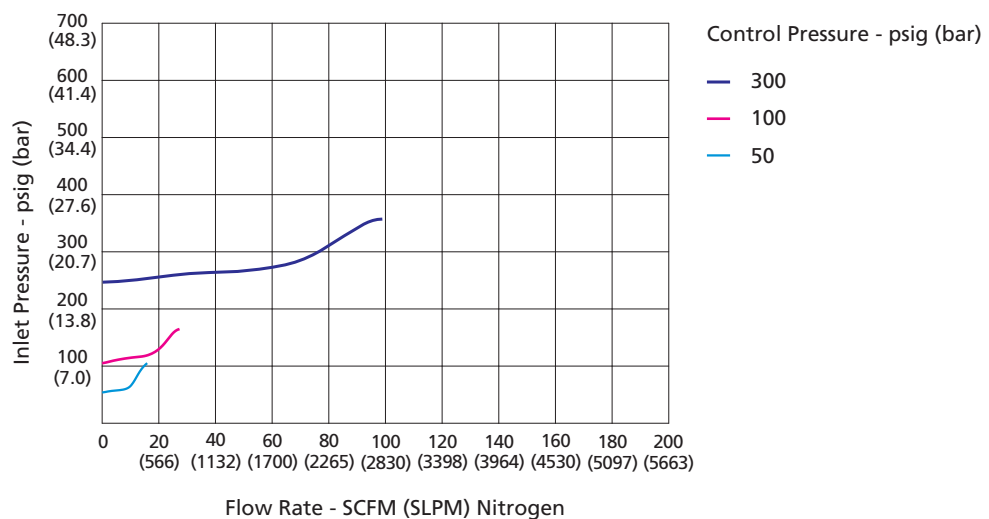
### Technical Data

- ⦿ Maximum control pressure: 1000 psig
- ⦿ Pressure control range: 10~300, 10~500 or 10~1000 psig
- ⦿ Material of the main components:
  - Seat: PCTFE
  - Piston: 316L
  - O-rings: Viton or Kalrez
- ⦿ Temperature: -15°F~-165°F (-26°C~-74°C)
- ⦿ Leak rates:
  - Internal: Bubble-tight
  - External: Bubble-tight
- ⦿ Flow coefficient (Cv): 0.3
- ⦿ Weight: ≈1.98 lbs (0.9 kg)
- ⦿ Body ports: 1/4" female NPT for inlet, outlet and gauge



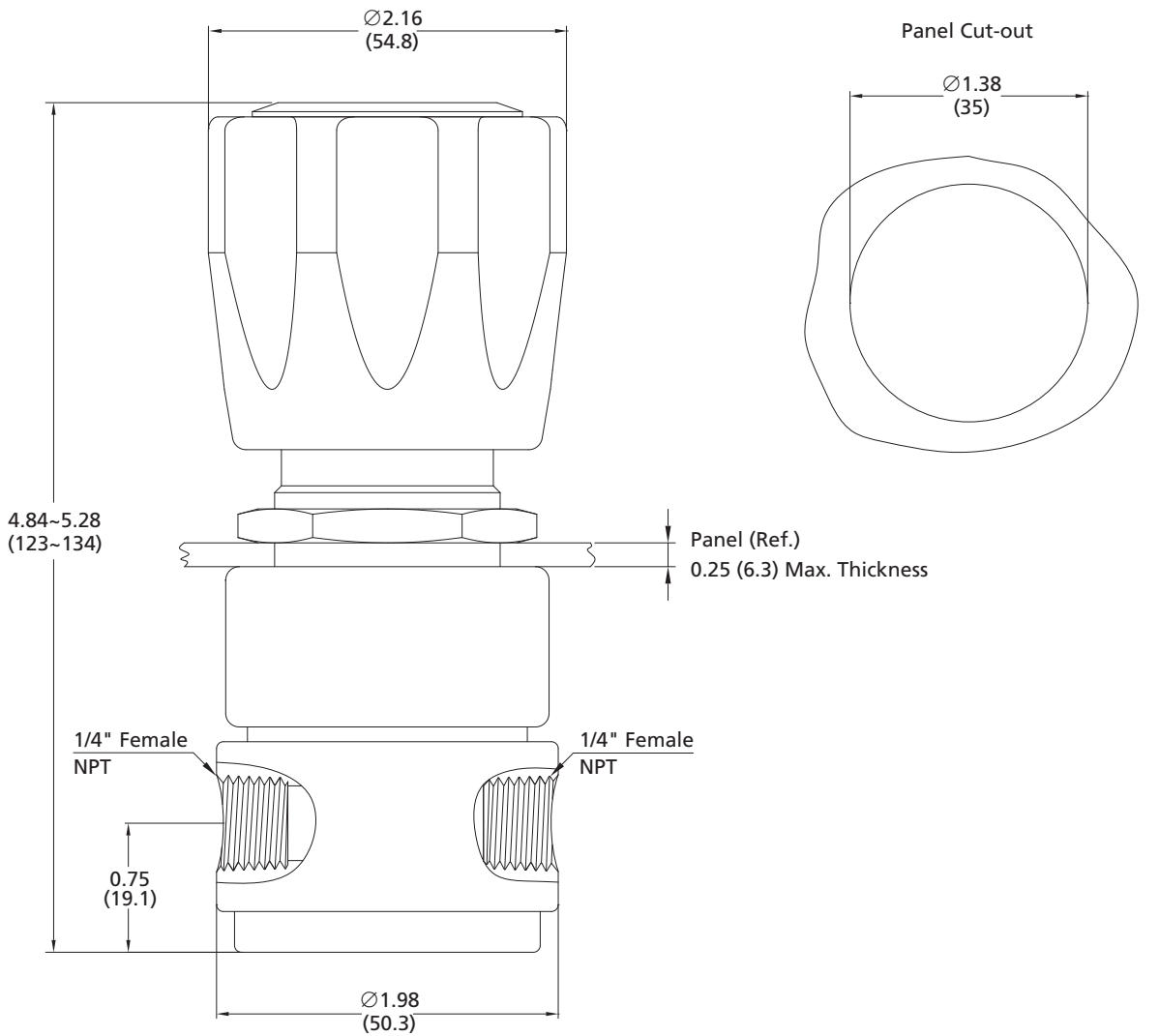
Model: BPR-26LZ-300-00-00-Z

### Typical Flow Chart

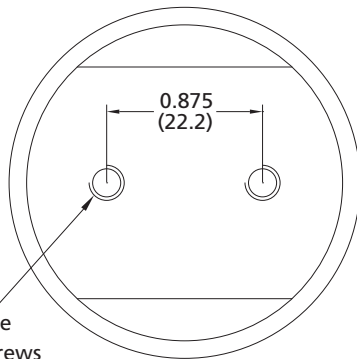


## Dimensions

Dimensions, in inches (millimeters), are for reference only.

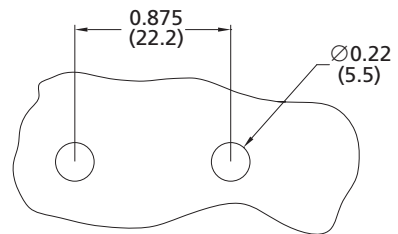


Bottom View

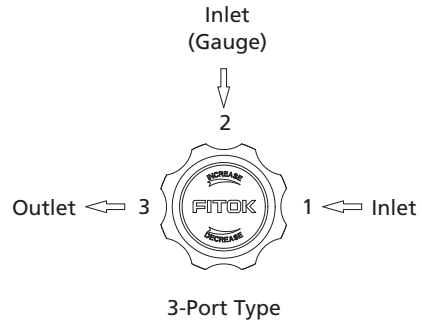
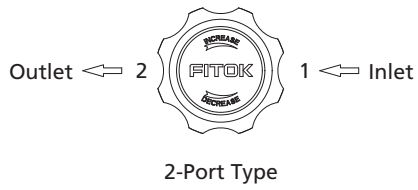


$2 \times M5 \times 0.8-6H$  thread  
The holes are compatible with 10-32 mounting screws

Bottom Panel Cut-out

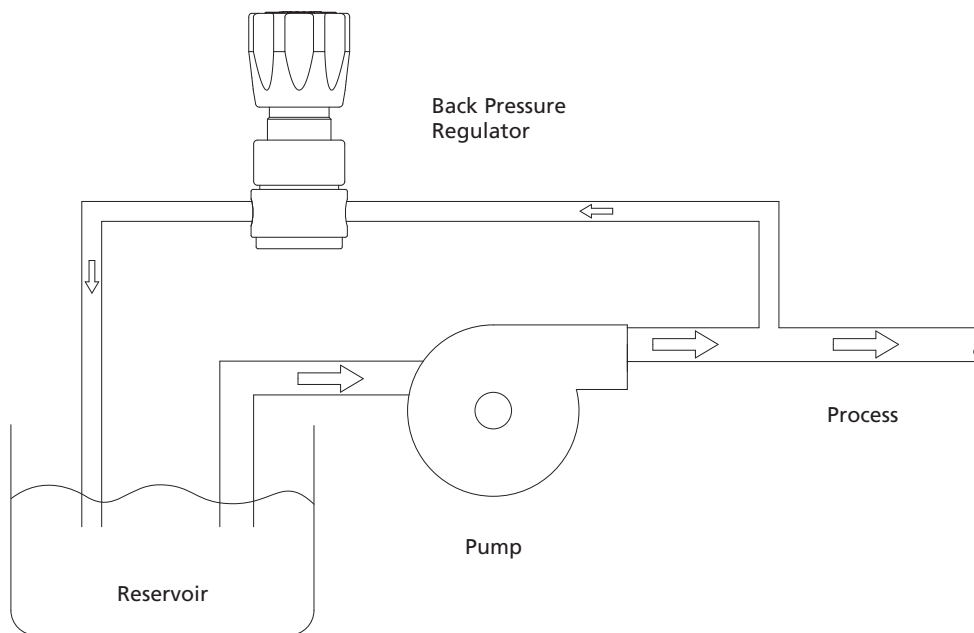


## Port Configurations



## Typical Application

BPR-2 Series Back Pressure Regulators maintain the required pipeline pressure to ensure the Pump to output fluid stably when system pressure fluctuates.



## Part Number Description

BPR – 26L Z – 300 – 10 – M – 11 – Z

Body Material		Control Pressure Range P		Connection 1		Connection 2		Connection 3		Installation Type	
6L	316L SS	300	10~300 psig	00	1/4" Female NPT	B	With Gauge (psi/bar)	Same as Connection 1			Not Required
SS	316 SS	500	10~500 psig	01	1/4" Male NPT	M	With Gauge (MPa)			Z	Installed with One Panel Nut
B	Brass (Nickel-plated)	1000	10~1000 psig	10	1/4" Tube Fitting	P	Plug			N	Installed with Screws at the Bottom
				11	3/8" Tube Fitting	00	1/4" Female NPT				
				20	6 mm Tube Fitting	01	1/4" Male NPT				
				21	8 mm Tube Fitting	10	1/4" Tube Fitting				
				Other connections are available upon request		Other connections are available upon request					

O-ring Material	
	Viton
Z	Kalrez

Examples of part number:  
 a. 2-port type (1 in, 1 out): BPR-2SS-500-00-00